

# Norval



## Datasheet

### Product Description

Norval is a unique DMX signal generator with four universes, four outputs, smooth operation, elegant design, working in accordance with the relevant standards.

### Features

- Up to 48 volts input voltage
- 4 Universe, 4X DMX512 output
- Connectable via ART-NET
- USB adjustability
- DMX compatibility
- Online controller

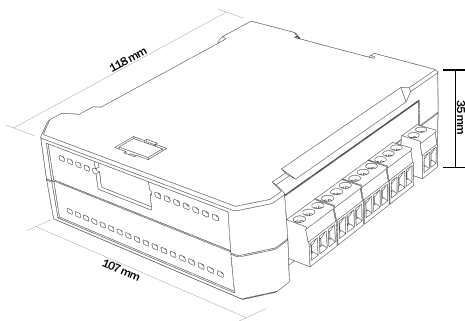
### Benefits

- Stylish and robust outer body
- Online working
- Less effect from electrical environments, stable operation

### Scope of Application

- DMX Pixel
- Facade lighting
- Stage lighting
- RGB-RGBW led bar
- Wallwasher
- Indirect lighting
- Linear lighting

## TECHNICAL DRAWING and SPECTIONS



Product ID	Norval ArtNet DMX Gateway
Power Supply	12-48 Vdc 2 Pin Screw connection terminal
Power Consumption	< 1 Watt
Operating Temperature	-20...+50 C
Storage Temperature	-20...+70 C
Operating/Storage Hum.	0 ... 80% (Non-condensing)
Dimensions (WxHxD)	107 x 35 x 118 mm
Weight	180 gr
Case	Non-conductive, nonflammable, 35mm DIN rails
Mounting	Wall mounting
Protection Class	Ip20
Electrical Safety	Selv
Interfaces	<ul style="list-style-type: none"> <li>• 1x3 screwable connection terminal block DMX512 (Output)</li> <li>• 1x3 screwable connection terminal block DMX512 (Output)</li> <li>• 1x3 screwable connection terminal block DMX512 (Output)</li> <li>• 1x3 screwable connection terminal block DMX512 (Output)</li> <li>• 1x2 Art-Net (Input)</li> <li>• 1x2 Port (Input)</li> <li>• USB Port</li> </ul>
User Interfaces	3 digital display 3 buttons
Certificate	CE

## CONNECTION DIAGRAMS

