

# Naboo



## Datasheet

### Product Description

Naboo DMX 512 Splitter is a unique DMX signal repeater with 1 outputs, 2500V RMS isolation, stylish design, working in accordance with the relevant standards. It is used to prevent data corruption that may occur in the DMX line. It takes the DMX data at its input, regenerates it without voltage drops and noise, and ensures that your line remains stable continuously.

### Features

- Up to 48 Volts input and output voltage
- 1 full isolated DMX outputs
- Integrated ending resistors
- DMX-RDM compatibility

### Benefits

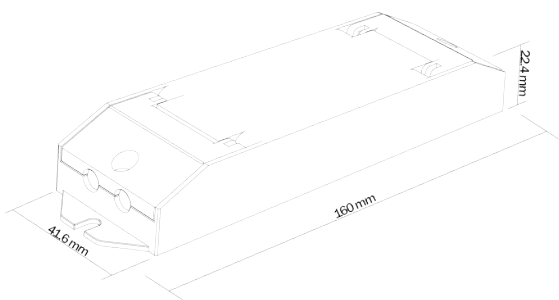
- More than 15 years of field experience
- Offline working
- Less affected by electrical noise, stable operation
- 2500V RMS isolation

### Scope of Application

- Facade lighting
- Stage lighting
- RGB-RGBW led bar
- Wallwasher

## TECHNICAL DRAWING and SPECTIONS

Product ID	Naboo DMX512 Splitter
Power Supply	12-48 Vdc 2 Pin screwable Terminal plug
Power Consumption	< 1 Watt
Operating Temperature	-20...+50 C
Storage Temperature	-20...+70 C
Operating/Storage Hum.	0 ... 80% (Non-condensing)
Dimensions (WxHxD)	160 x 22,4 x 41,6 mm
Weight	65 gr
Case	Aluminum
Protection Class	Ip20
Electrical Safety	Selv
Interfaces	<ul style="list-style-type: none"> <li>• 1x3 pin screwable terminal plug for DMX512 input for Universe1</li> <li>• 1x3 pin screwable terminal plug for DMX512 output for Universe1</li> </ul>
Isolation	2500V RMS, optical isolation
Certificate	CE



## CONNECTION DIAGRAMS

