

# Receiver CV



## Datasheet

### Product Description

Receiver CV is a reliable DMX Receiver for constant voltage Led bars that perfectly matches the needs of your projects.

### Features

- 24 volt input and output voltage
- Up to 3A current capacity from each channel
- 4 channel PWM output
- RGB-RGBW-Dynamic White compatibility
- DMX compatibility

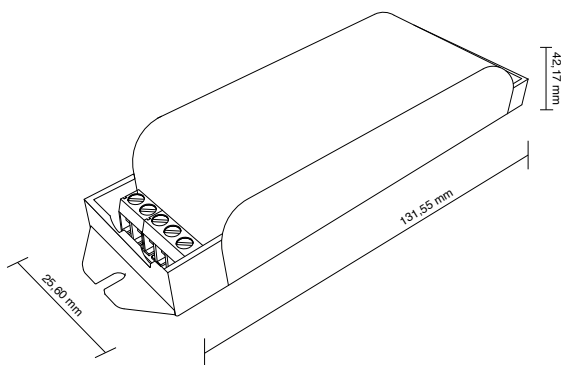
### Benefits

- DMX Input and Output terminal
- Non-flammable body
- More than 15 years of field experience
- Integrated termination resistor
- Less affected by electrical noise, stable operation

### Scope of Application

- Facade lighting
- RGB led bar
- Flexible Led applications
- Indirect lighting
- Linear lighting

## TECHNICAL DRAWING and SPECTIONS



Product ID	Receiver CV
Power Supply	12-24 Vdc 2 Pin screwable Terminal plug
Power Consumption	< 1 Watt
Output Capacity	3A max from each channel
Operating Temperature	-20...+50 C
Storage Temperature	-20...+70 C
Operating/Storage Hum.	0 ... 80% (Non-condensing)
Dimensions (WxHxD)	131,55 x 42,17 x 25,60 mm
Weight	75 gr
Case	Non-conductive, non-flammable
Mounting	Wall Mounting
Protection Class	Ip20
Electrical Safety	Selv
Interfaces	<ul style="list-style-type: none"> <li>• 1x DMX512 3 pin screwable terminal plug for input</li> <li>• 1x DMX512 3 pin screwable terminal plug for output</li> <li>• Up to 1x5 PWM output screwable terminal plug</li> </ul>
Certificate	CE

## CONNECTION DIAGRAMS

