

# Telaris



## Datasheet

### Product Description

Telaris DMX Receiver CC is the perfect choice for DMX controlled LED products that need to be driven with constant current. DMX applications are in safe hands with wide LED connection options. You can easily connect with 3rd party light consoles and computer supported hardware as plug and play.

### Features

- Up to 48 Volt input voltage DMX-RDM compatibility
- Constant current option in the range of 100-1050ma
- Max power limitation
- Programmable and addressable via NFC
- RGB-RGBW-Dynamic White compatibility

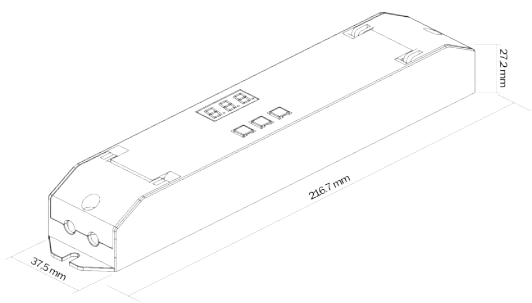
### Benefits

- It can safely drive up to 15 serial LED arrays
- Non-flammable body
- 15 years of field experience
- Integrated termination resistor
- Less affected by electrical noise, stable operation
- Wide parametric settings
- Easy installation with mobile application

### Scope of Application

- Facade lighting
- Wallwasher
- Projector
- Led Series that require constant current

## TECHNICAL DRAWING and SPECTIONS



Product ID	Telaris DMX Receiver CC
Power Supply	12-48 Vdc 2 Pin screwable Terminal plug
Power Consumption	< 1 Watt
Output Capacity	350-700-1050ma constant current from each channel (For other values, please contact your local dealer.)
Operating Temperature	-20...+50 C
Storage Temperature	-20...+70 C
Operating/Storage Hum.	0 ... 80% (Non-condensing)
Dimensions (WxHxD)	216,7 x 27,2 x 37,5 mm
Weight	115 gr
Case	Non-conductive, non-flammable
Mounting	Wall mounting
Protection Class	Ip20
Electrical Safety	Selv
Interfaces	<ul style="list-style-type: none"> <li>• 1x DMX512/RDM 3 pin screwable terminal plug for input</li> <li>• Up to 4x PWM output 1 pin screwable terminal plug</li> </ul>
Isolation	3 digit display 3 pieces button or 10 pin Dip Switch or without display
Certificate	CE

## CONNECTION DIAGRAMS

